

SLIDELIFT® SERIES

The GPSLR Series

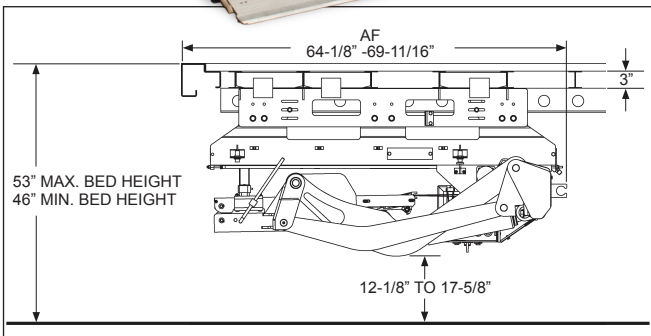


GPSLR SPECIFICATIONS

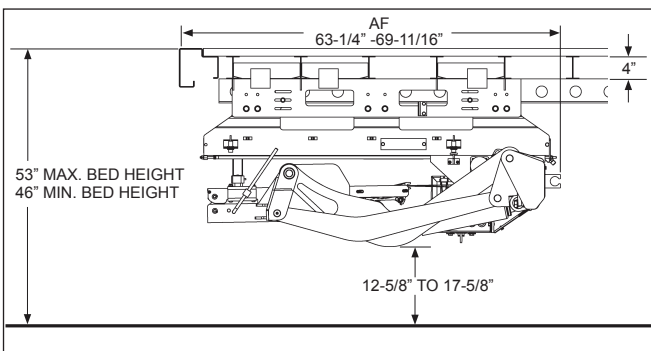
Level ride, one-button stowing and the industry's toughest finish create the smartest choice in sliders.

- Level ride travel pattern that results in a platform that sits flat on the ground
- Platform with a lightweight aluminum flip over section
- Single and dual aluminum retention ramp options available
- Single and dual cart stops
- Press one button to stow and Smart Stow®* technology makes everything else automatic: detecting correct height, stowing securely, and locking in place
- Hydraulic locking system that locks gate securely during transit
- Stress-optimized lift arm design that minimizes arm deflection
- Pump box can be conveniently accessed from rear of trailer
- Motor thermal protection is standard on this liftgate
- Manual slide-out feature

* Available Option



Vehicle With 3" Crossmembers



Vehicle With 4" Crossmembers

NOTE: Please review appropriate liftgate installation manual for full vehicle and or body requirements to ensure proper fitment.

MODEL CAPACITY	PLATFORM SIZE	AF DIMENSION	TOTAL WEIGHT	BED HEIGHT
GPSLR33 (3,300 lbs)	51" x 86" (25" + 26") + 9" Fixed Ramp	63-1/4" - 69-11/16"	1,690 Lbs.	46" Min. with Body Laden
	60" x 86" (25" + 35") + 9" AL Retention Ramp			
GPSLR44 (4,400 lbs)	63" x 86" (37" + 26") + 9" AL Fixed Ramp		1,715 Lbs.	53" Max. with Body Unladen
	72" x 86" (37" + 35") + 9" AL Retention Ramp			

* Actual dimension depends on platform size



Maxon Lift Corp. 11921 Slauson Ave., Santa Fe Springs, CA 90670
800.227.4116 Fax 888.771.7713, www.maxonlift.com

SLIDELIFT® SERIES

The GPSLR Series

MAXON®

Optional Features

- Fixed ramp with single or dual cart stop(s)
- 10" aluminum retention ramp: dual or single
- Battery box / cable kits
- Trailer charge line kits
- Cycle counter
- Smart Stow® function

Loadable Platform Space with Cart Stops Deployed



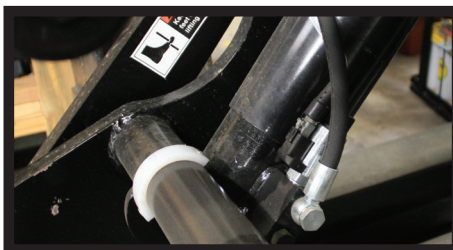
Smart Stow® Function

Unlike most liftgates that require multiple steps when storing the gate, the GPSLR is equipped with an optional Smart Stow® function that automatically stows the gate. The operator simply has to initiate the stow function and the gate detects the right height, slides in and stows and secures itself automatically. This sophisticated solution is unique in this industry but essential to the slide-type liftgate to avoid operator error and damage.



Aluminum Platform - MAX GRIP®

Lightweight aluminum platform design with recessed hinges provides a flat loading surface over entire width of platform. The platform features dual assist torsion springs that minimize the opening and closing force. Optional available with knurled surface (MAX GRIP®)



Hydraulic Locking System

The GPSLR features a hydraulic locking system that takes the operator out of the equation. The hydraulic system automatically locks when the gate is in the stow position requiring no additional operator effort.



Level Ride

The GPSLR rides level all the way to the ground, similar to a rail liftgate. The platform design allows for loads to be easily loaded on and off because it sits completely flat on the ground.



Lift Arm Design

The GPSLR features a stress-optimized lift arm design that yields a key benefit: no significant arm deflection. The stout and solid design provides ample support even when loaded to its rated capacity!



MAXPRO® Paint or GALVANIZED Finish

This patented, Maxon exclusive paint process has a tough polyurea top coat and an AL rich primer that combat corrosion and keep the liftgate looking like new. For even more corrosion protection, the GPSLR is also available in a galvanized finish.

Distributed by:

M-182-0816



Maxon Lift Corp. 11921 Slauson Ave., Santa Fe Springs, CA 90670
800.227.4116 Fax 888.771.7713, www.maxonlift.com